



DIPLOMATIC
HYDRAULICS

22 300/104 ED



Z*P

PRESSURE REDUCING VALVES

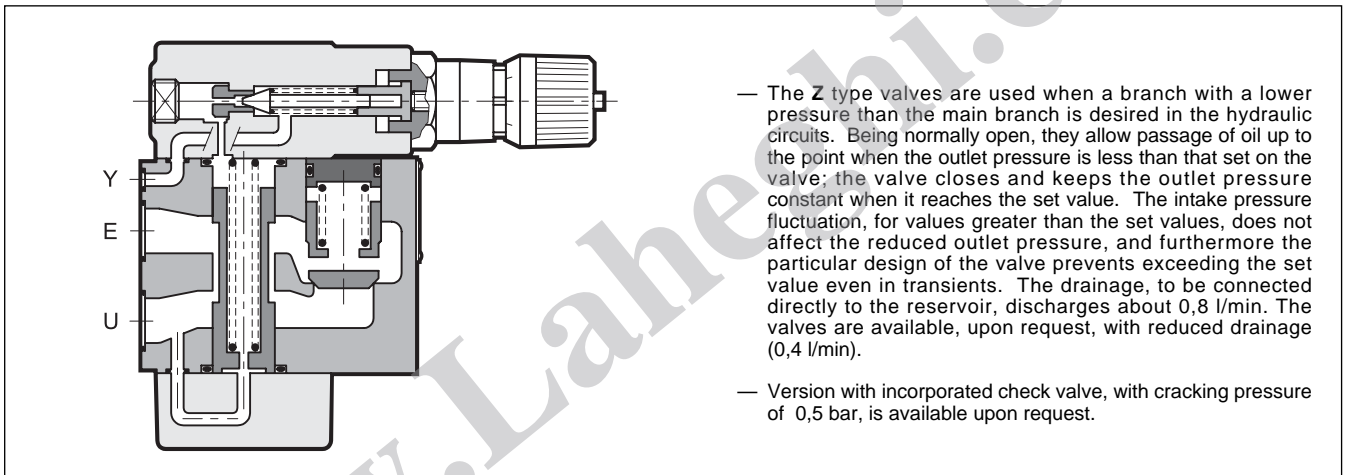
SERIES 22

SUBPLATE MOUNTING:

Z3 CETOP 06

Z5 CETOP 08

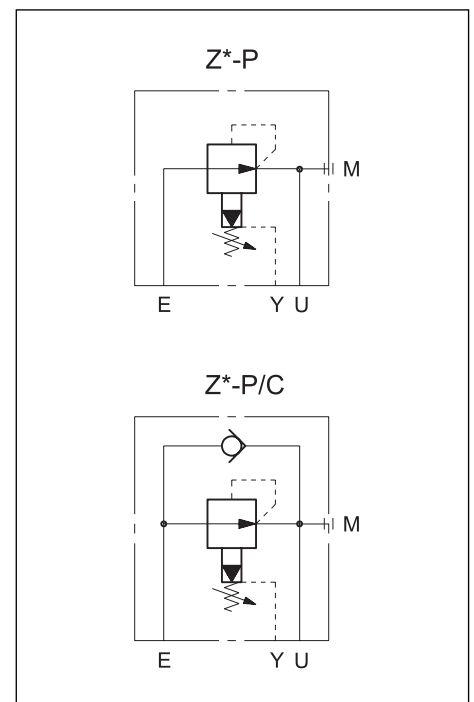
OPERATING PRINCIPLE



PERFORMANCE RATINGS (measured with mineral oil of viscosity 36 cSt at 50°C)

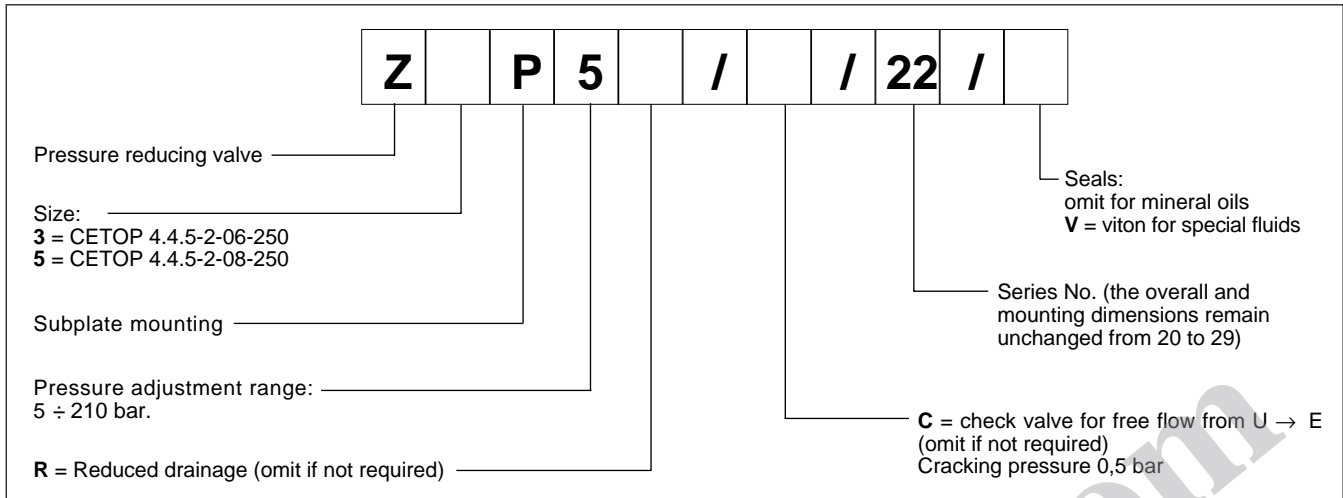
		Z3P	Z5P
Maximum operating pressure	bar	250	250
Maximum flow rate	l/min	40	110
Drainage flow rate:	l/min	0,8	
- for Z*P	l/min	0,4	
- for Z*P*R			
Ambient temperature range	°C	-20 ÷ +50	
Fluid temperature range	°C	-20 ÷ +80	
Fluid viscosity range	cSt	10 ÷ 400	
Recommended viscosity	cSt	25	
Degree of fluid contamination	According to NAS 1638 class 10		
Mass	kg	3,9	6,1

HYDRAULIC SYMBOLS

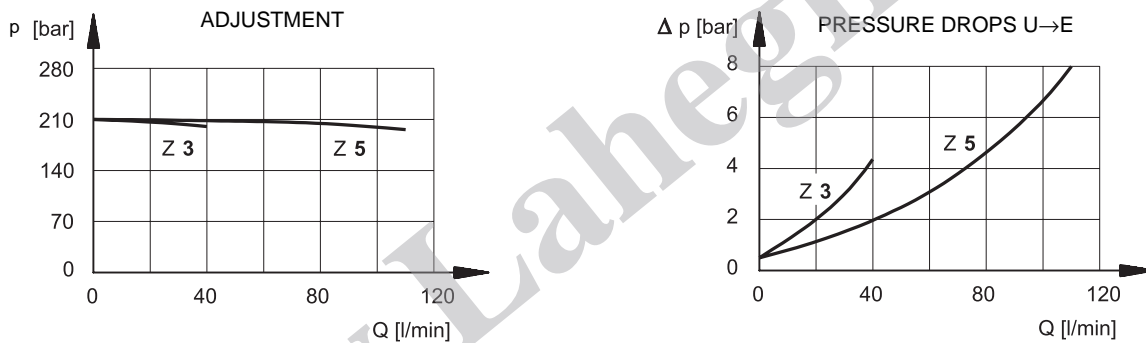




1 - IDENTIFICATION CODE



2 - CHARACTERISTIC CURVES (values obtained with viscosity of 36 cSt at 50°C)

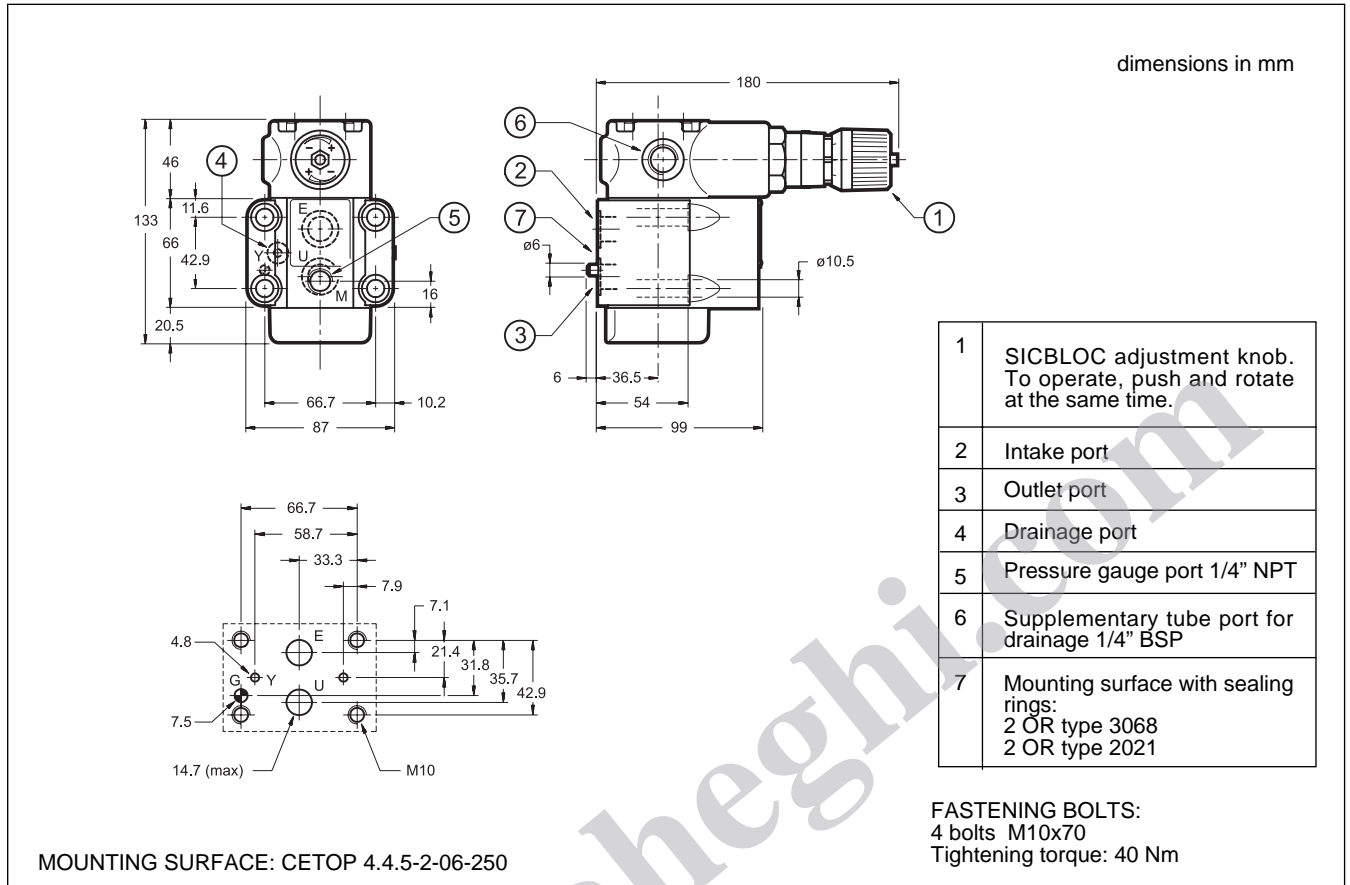


3 - HYDRAULIC FLUIDS

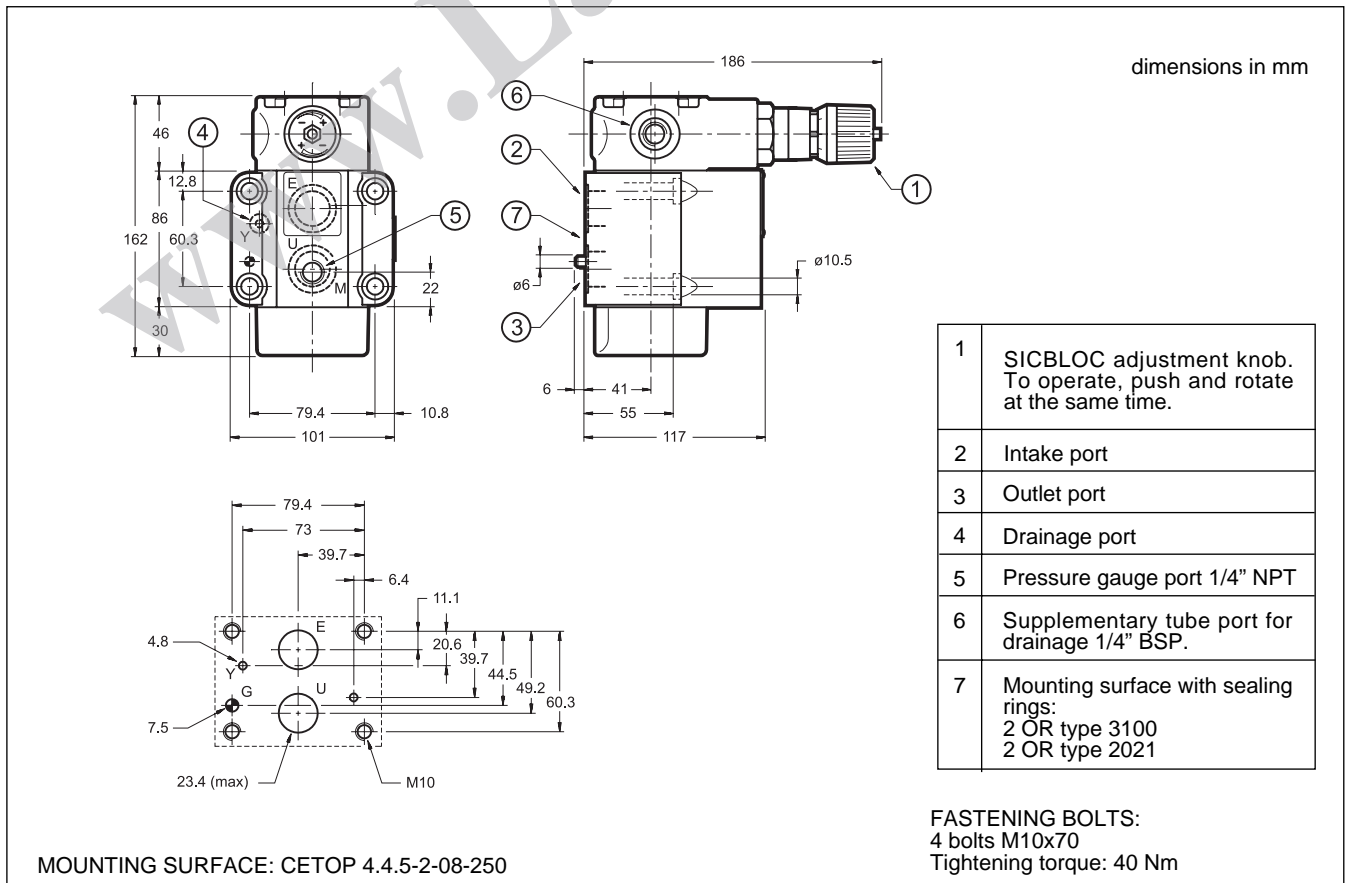
Use mineral oil-based hydraulic fluids, with the addition of suitable anti-frothing and anti-oxidizing agents.
For the use of other types (water glycol, phosphate esters and others), please consult our technical department.



4 - Z3P OVERALL AND MOUNTING DIMENSIONS



5 - Z5P OVERALL AND MOUNTING DIMENSIONS





Z*P

SERIES 22

6 - SUBPLATES (see catalogue 51 000)

	Z3P	Z5P
Type	PMSZ3-AI4G with rear ports	PMSZ5-AI5G with rear ports
Port dimensions E, U X, Y	1/2 " BSP 1/4 " BSP	1 " BSP 1/4 " BSP

www.Laheghi.com



DIPLOMATIC OLEODINAMICA SpA
20025 LEGNANO (MI) - P.le Bozzi, 1 / Via Edison
Tel. 0331/472111 - Fax 0331/548328